



FLEXCON FFXA-SERIES HYDROPNEUMATIC EXPANSION TANKS

Description: Flexcon FFXA-series tanks are ASME-rated replaceable bladder type pre-charged hydropneumatic expansion tanks for commercial and industrial well and water systems, booster systems, or other potable water applications. They are designed to deliver water under pressure between pump cycles to provide sufficient flow to meet demands. The water is contained in a heavy-duty butyl bladder. All sizes can be installed vertically or horizontally.

Shell Construction: Carbon Steel

Maximum Design Temperature: 240°F/116°C

Bladder Construction: Heavy Duty Butyl (FDA/NSF), Replaceable

Maximum Design Pressure: 125 PSIG*

Exterior Finish: Carbocoat 140 – Harvest Red

Note: *150, 200 and 250 PSIG available on request

Model	Tank Volume (L)	A (in)	B (in)	C (in)	D (in)	E	F (in)	G (in)	Wt. (lb)
FFXA-85	85	16	37	1	¾	.302"-32NC	12	5 ½	90
FFXA-130	130	20	37	1 ½	¾	.302"-32NC	16	5 ½	125
FFXA-200	200	24	43	1 ½	¾	.302"-32NC	20	5 ¼	210
FFXA-300	300	24	55	1 ½	¾	.302"-32NC	20	5 ¼	225
FFXA-400	400	30	49	1 ½	¾	.302"-32NC	24	5 ¼	300
FFXA-500	500	30	57	2	¾	.302"-32NC	24	5 ¼	330
FFXA-600	600	30	65	2	¾	.302"-32NC	24	5 ¼	360
FFXA-800	800	32	76	2	¾	.302"-32NC	28	5 ¼	475
FFXA-1000	998	36	87	3	8	.302"-32NC	30	8 ½	735
FFXA-1200	1198	36	98 ½	3	8	.302"-32NC	30	8 ½	745
FFXA-1400	1399	36	110 ½	3	8	.302"-32NC	30	8 ½	900
FFXA-1600	1595	48	84	3	9	.302"-32NC	42	8 ¾	1210
FFXA-2000	1996	48	96	3	9	.302"-32NC	42	8 ¾	1305

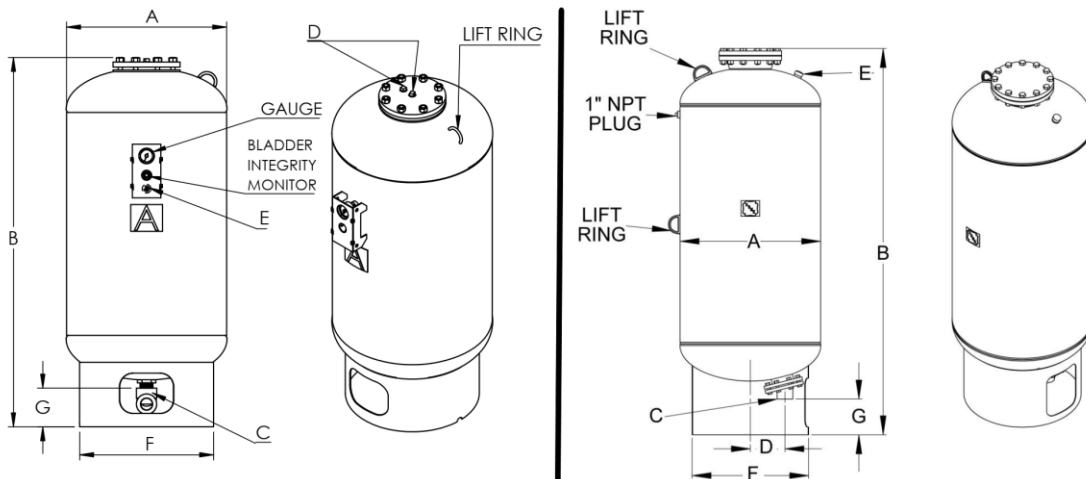


Figure 1: FFXA-85 to FFXA-800 (Left); FFXA-1000 to FFXA-2000 (Right)

Additional Notes: Tanks are factory pre-charged at 30 psi and are field-adjustable. Both C and D connections access the bladder. Connection C is intended to be used for main water supply connection. Connection D can be used for auxiliary gauge, pressure switch, etc. Larger sizes available upon request.