



## FLEXCON FFX-NC-SERIES HYDROPNEUMATIC EXPANSION TANKS

**Description:** Flexcon FFX-NC-series tanks are NON-ASME replaceable bladder type pre-charged hydropneumatic expansion tanks for commercial and industrial well and water systems, booster systems, or other potable water applications. They are designed to deliver water under pressure between pump cycles to provide sufficient flow to meet demands. The water is contained in a heavy-duty butyl bladder.

**Shell Construction:** Carbon Steel

**Maximum Design Temperature:** 240°F/116°C

**Bladder Construction:** Heavy Duty Butyl (FDA/NSF), Replaceable

**Maximum Design Pressure:** 150 PSIG

**Exterior Finish:** Red Primer

Model	Tank Volume (L)	A (in)	B (in)	C (in)	Wt. (lb)
FFX8-NC	8	8	13	¾	7
FFX19-NC	19	11	16	¾	13
FFX24-NC	24	14	13	¾	15
FFX60V-NC	60	15	34	1	39
FFX80V-NC	80	18	34	1	49
FFX100V-NC	100	18	38	1	61
FFX200V-NC	200	22	49	1 ½	112
FFX300V-NC	300	25	55	1 ½	141
FFX500V-NC	500	31	61	1 ½	265
FFX750V-NC	750	31	79	1 ½	330
FFX1000V-NC	1000	37	77	2	398
FFX2000V-NC	2000	50	84	2	835

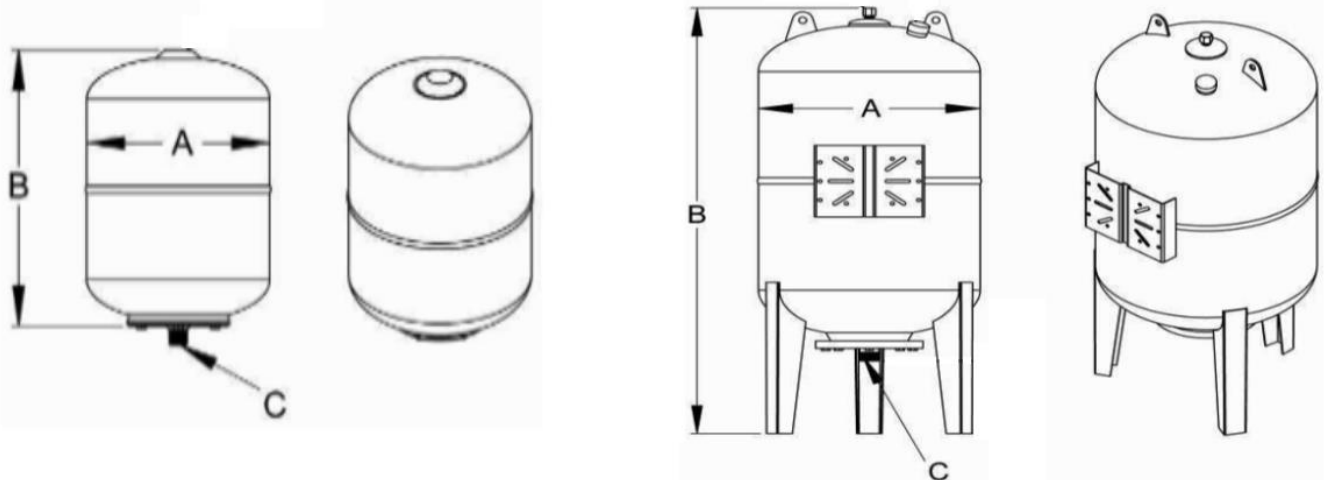


Figure 1: FFX8-NC to FFX24-NC (Left); FFX60V-NC to FFX2000V-NC (Right)

**Additional Notes:** Tanks are factory pre-charged at 30 psi and are field-adjustable. All vertical models come with three mounting legs. Lifting rings are standard on models FFX100V-NC through FFX2000V-NC.