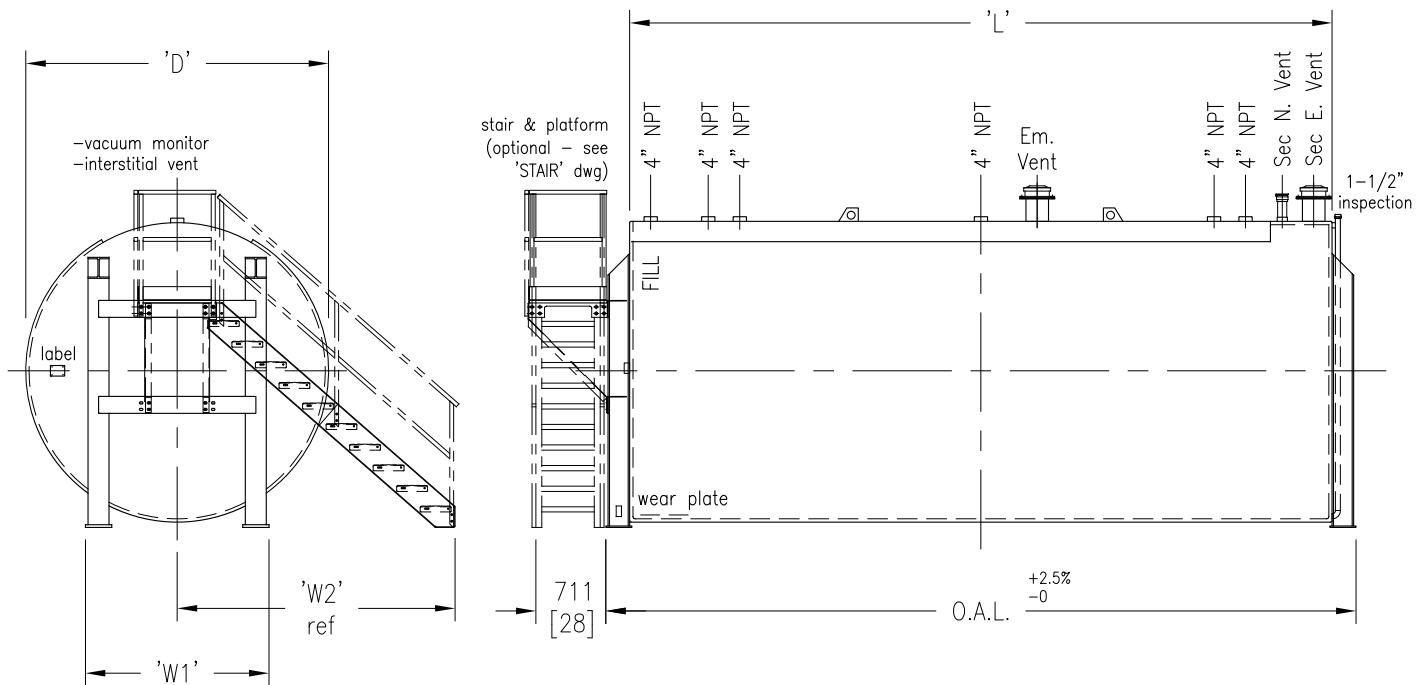


Aboveground Storage Tank
100% Integral Contained ULC-S601-14
78,000 ltr to 150,000 ltr



Part I.D.	Capacity		Diameter 'D' mm [in]	Length 'L' mm [in]	'O.A.L.' mm [in]	'W1' mm [in]	'W2' mm [in]	Weight Kg [lb]
	Litre	I.G.						
SCCTFT078000H	78,000	17,150	2921 [115]	11786 [464]	12243 [482]	1780 [70]	2718 [107]	9773 [21500]
SCCTFT090900H	90,900	20,000	3175 [125]	11786 [464]	12344 [486]	1780 [70]	3175 [125]	10880 [23935]
SCCTFT100000H	100,000	22,000	3175 [125]	12903 [508]	13462 [530]	1780 [70]	3175 [125]	12910 [28400]
SCCTFT125000H	125,000	27,535	3505 [138]	13208 [520]	13767 [542]	2085 [82]	3404 [134]	17348 [38165]
SCCTFT150000H	150,000	33,000	4000 [158]	11990 [472]	12650 [498]	2388 [94]	3861 [152]	19216 [42275]

NOTES:

- BUILT & LABELLED TO ULC-S601-14 (100% Integral Contained)
- MATERIAL OF CONSTRUCTION: CARBON STEEL
- EXTERIOR FINISH: BLAST TO SSPC-SP6, ONE COAT PRIMER & ONE FINISH COAT WHITE ENAMEL
- EACH TANK SUPPLIED WITH DIPSTICK, GAUGE CHART & TOUCH-UP PAINT
- OPTIONAL STAIRWAY & PLATFORM ASS'Y CAN BE INSTALLED IN THREE DIFFERENT POSITIONS.

- rated normal vent: 3"
- rated emergency vent: up to 125,000 ltr = 8", over 125,000 ltr = 10"

STEELCRAFT
 Engineered Products Division

DESCRIPTION: Horizontal A/G 100% Integral Contained Storage Tank

CUSTOMER:

PROJECT:

ITEM NO.: see chart

DRN.: HK 20-Feb-18

SCALE: NTS

JOB NO.:

DWG. NO.: S601-H100C-3

