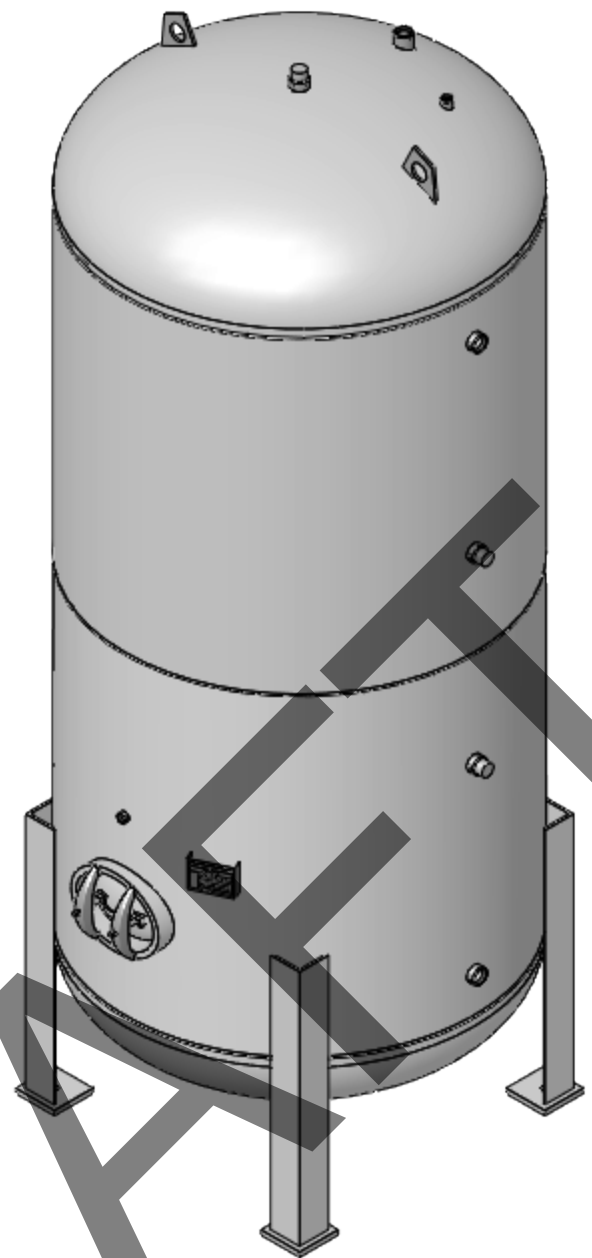
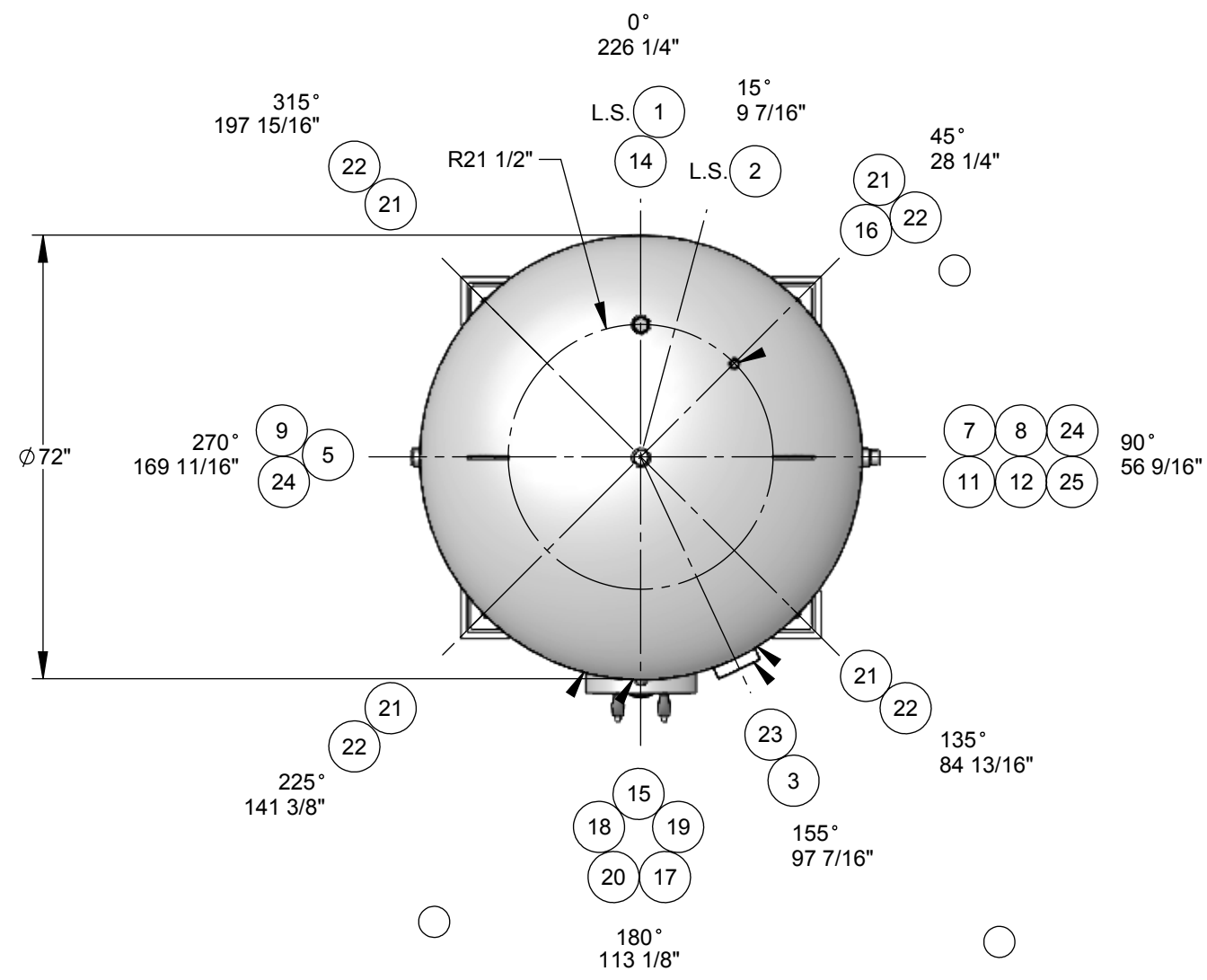


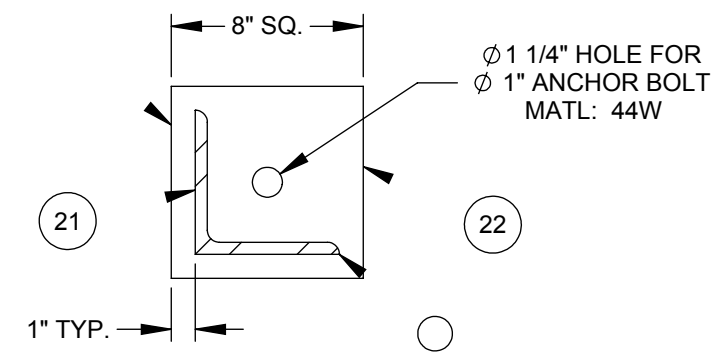
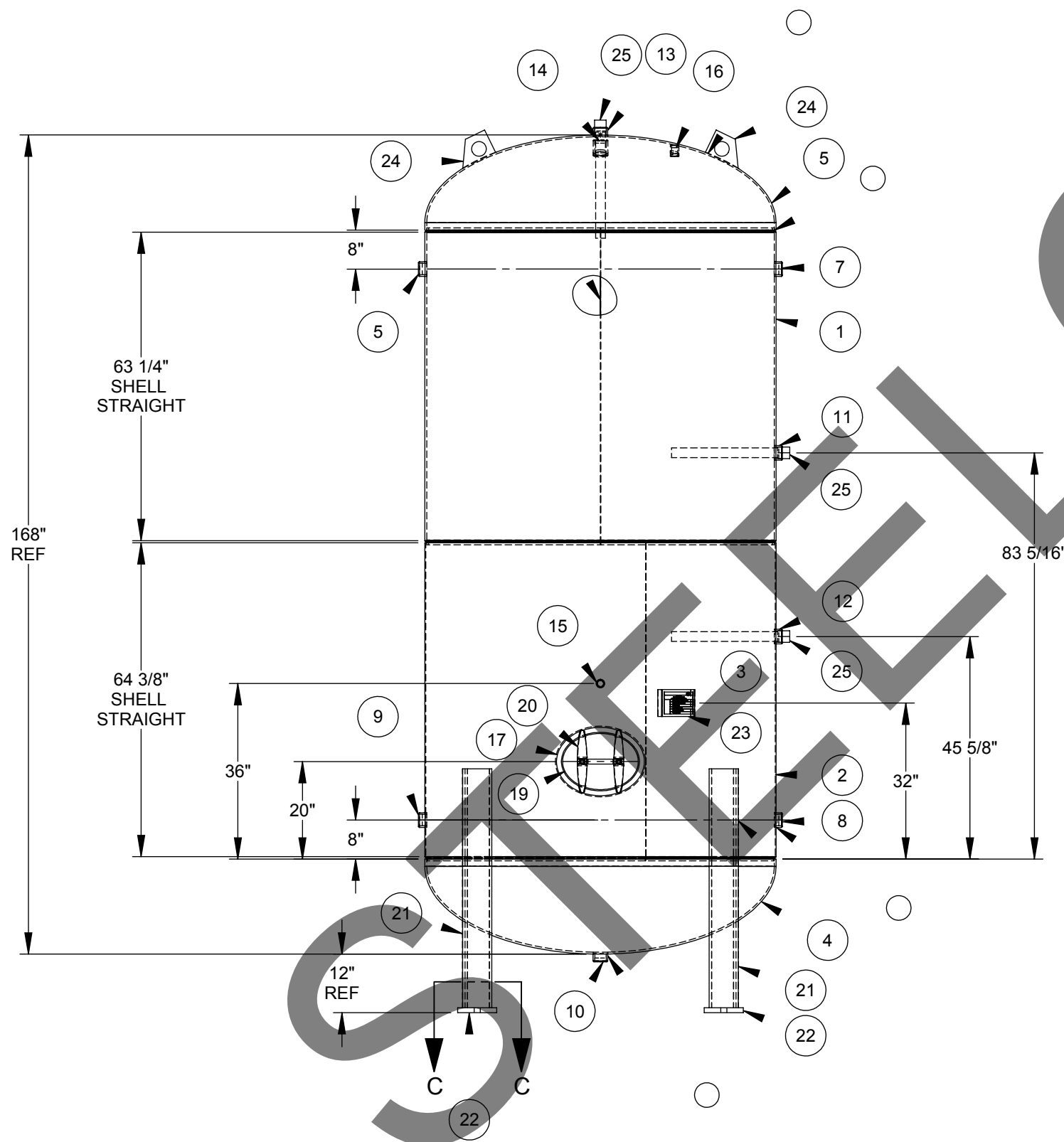
STEELCRAFT P/N: SCDHWT72X168



| ITEM NO. | QTY. | PART NO.     | DESCRIPTION                                 |
|----------|------|--------------|---|
| 1        | 1    | A43995-01    | Cylinder: 72" O.D. x 65" Lg.                |
| 2        | 1    | A43995-02    | Cylinder: 72" O.D. x 65 1/4" Lg.            |
| 3        | 1    | A43988-NP    | ASME NAMEPLATE                              |
| 4        | 1    | HDSE072001FJ | Head: S.E., 72" O.D.                        |
| 5        | 1    | HDSE072001FJ | Head: S.E., 72" O.D.                        |
| 5        | 1    | CPHT200300XU | Coupling: 2" NPT                            |
| 7        | 1    | CPHT200300XU | Coupling: 2" NPT                            |
| 8        | 1    | CPHT200300XU | Coupling: 2" NPT                            |
| 9        | 1    | CPHT200300XU | Coupling: 2" NPT                            |
| 10       | 1    | CPHT200300XU | Coupling: 2" NPT                            |
| 11       | 1    | CPHT200300XU | Coupling: 2" NPT                            |
| 12       | 1    | CPHT200300XU | Coupling: 2" NPT                            |
| 13       | 1    | CPHT200300XU | Coupling: 2" NPT                            |
| 14       | 1    | CPFT200300XU | Coupling: 2" NPT                            |
| 15       | 1    | CPHT100300XU | Coupling: 1" NPT                            |
| 16       | 1    | CPFT100300XU | Coupling: 1" NPT                            |
| 17       | 1    | MHCO121640UC | Manway Collar: 12" x 16" x 1" x 4" Wide     |
| 18       | 1    | GSKO121600XY | Manway Gasket                               |
| 19       | 1    | CVRB121615XC | Manway Cover                                |
| 20       | 2    |              | Manway Yoke c/w Bolt & Nut                  |
| 21       | 4    | A43988-L     | 6" X 6" X 49" LG ANGLE                      |
| 22       | 4    | A43988-FP    | 8" X 8" X 1" Thk. FOOT PAD WITH 1-1/4" HOLE |
| 23       | 1    | BKPL400055XC | Nameplate Bracket                           |
| 24       | 2    | LLTV050075QC | Lift Lug                                    |
| 25       | 3    | ANDA200220XM | Anode, 2" Screwed Magnesium                 |

Design Specifications

M.A.W.P.: 150 psi  
 Design Temperature: 500 °F  
 M.D.M.T.: 0°F @ 150 psi  
 Impact Testing Exempt per UG-20(f) & UCS-66  
 Design External Pressure: 0.0 psi  
 Hydrotest Pressure: 195 psi  
 Corrosion Allowance: 0.0 in.  
 Code: ASME Section VIII, Div. 1 2017  
 Approximate Volume: 9833 L  
 Approximate Weight: 6883 lbs  
 Material of Construction: Carbon Steel



Finish  
 Interior:  
 Line with Cement to CSA, NSF/ANSI 61 Standard  
 Exterior:  
 -Primer

Construction Notes  
 -Bolt holes to straddle centerlines.  
 -This vessel is designed with superimposed static, dynamic or cyclical reactions due to equipment or mechanical loading, or pressure or thermal variations = 0 lbs.  
 -This vessel is designed with thermal, mechanical, cyclical, pressure or fluid shock loadings = 0 lbs.  
 -Round or chamfer all sharp interior corners.  
 -This vessel is designed to contain a non-lethal gas, vapour or a non-lethal liquid.

|  |   |   |
|--|---|---|
| TOLERANCES UNLESS OTHERWISE NOTED  |   | <p>Engineered Products Division</p> <p>487 Lorne Avenue East, PO Box 339, Stratford, Ontario N5A 6T1<br/>                 P. 1.800.387.6537 F. 519.271.1092 www.steelcraftinc.com</p> |
| MACHINING<br>.X = ±.1"<br>.XX = ±.02"<br>.XXX = ±.005"<br>ANGLES ±.5°                            | WELD FABRICATION<br><=24" = ±1/16"<br>>24" = ±1/8"<br>ANGLES = ± 0.5° |   |
| THIS PRINT AND DESIGN ARE THE PROPERTY OF STEELCRAFT INC. AND MUST NOT BE USED TO ITS DETRIMENT. |   |   |
| PRODUCT: 72" O.D. X 168" HIGH STD PV   |   |   |
| DESCRIPTION: MAIN ASSEMBLY   |   |   |
| COMMENTS: SEE BOM FOR MATERIALS  |   |   |
| DRAWN:<br>PEK  | CHK'D:<br>NTS   | SCALE:<br>NTS   |
| DATE:<br>22/08/2019  | DATE:<br>-  | WEIGHT:<br>4090   |
| JOB No.:<br>SCDHWT72X168   |   | DRAWING No.:<br>CL43995   |
| SHEET 1 OF 1   |   | REV. No.:<br>0  |