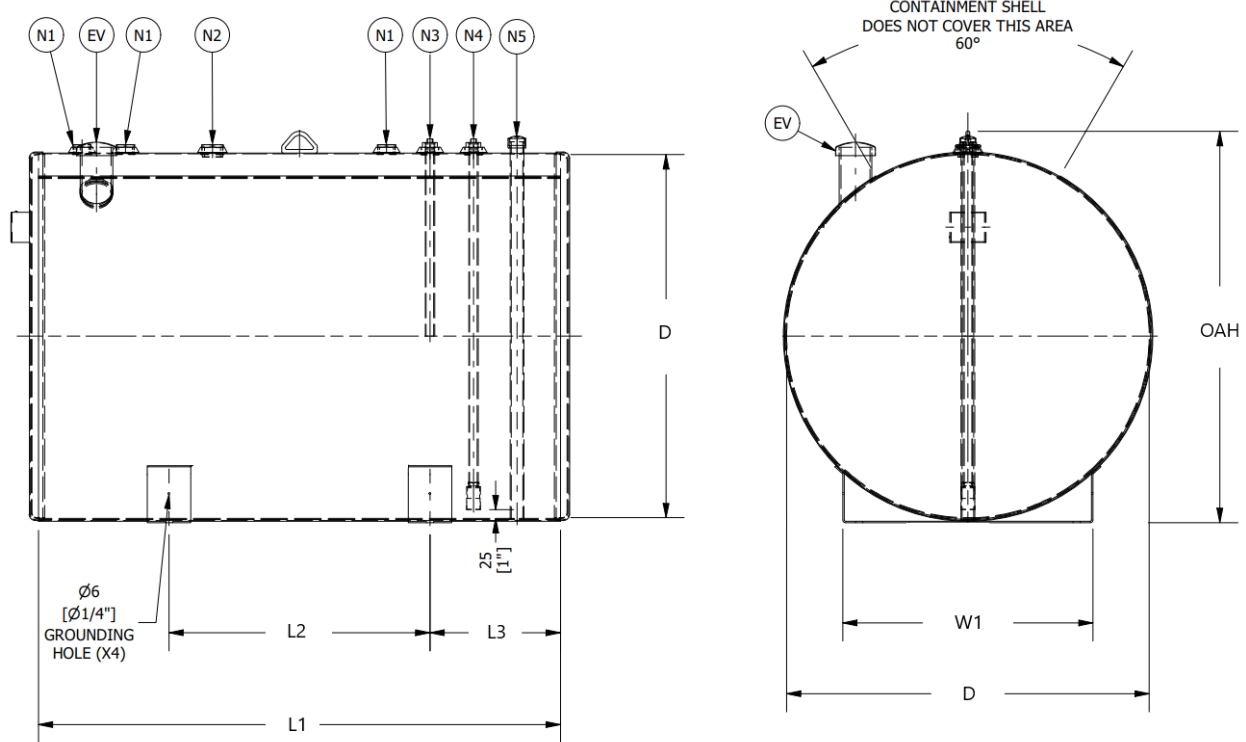


**Aboveground Storage Tanks, ULC-S602, Double-Wall, Contained, Horizontal, Auxiliary**



Part Number	Capacity (L)	D (in)	L1 (in)	L2 (in)	L3 (in)	W1 (in)	OAH (in)	Approx. Wgt (lbs)
SCAUXFT0455	455	28	48	36	6	22-1/2	31-7/8	300
SCAUXFT0680	680	28	68	56	6	22-1/2	31-7/8	420
SCAUXFT0910	910	38	49	36	6-1/2	25-1/4	41-7/8	460
SCAUXFT1135	1135	38	61	36	12-1/2	25-1/4	41-7/8	500
SCAUXFT1360	1360	38	72	36	18	25-1/4	41-7/8	600
SCAUXFT2200	2200	50	72	36	18	34-1/2	53-7/8	975

**Design Notes**

- 1) Each tank designed, manufactured, and labeled in accordance with ULC-S602-14
- 2) Material of construction: carbon steel (standard)
- 3) Exterior finish: SSPC-SP6, one finish coat white

N1 Fitting: Weldin NPS 2 (455 L does not have the third N1 fitting opposite EV)

N2 Fitting: Weldin NPS 2 (455 L - 910L) or NPS 2-1/2 (1135 L – 2200 L)

N3 Fitting: Weldin NPS 2 w/ 2 x 1 x 1 Bushing, Drop Tube NPS 1

N4 Fitting: Weldin NPS 2 w/ 2 x 1 x 1 Bushing, Drop Tube NPS 1 w/ Foot Valve

N5 Fitting: Containment Monitor Pipe NPS 1-1/2 w/ Cap

EV: Containment Combination Vent NPS 4