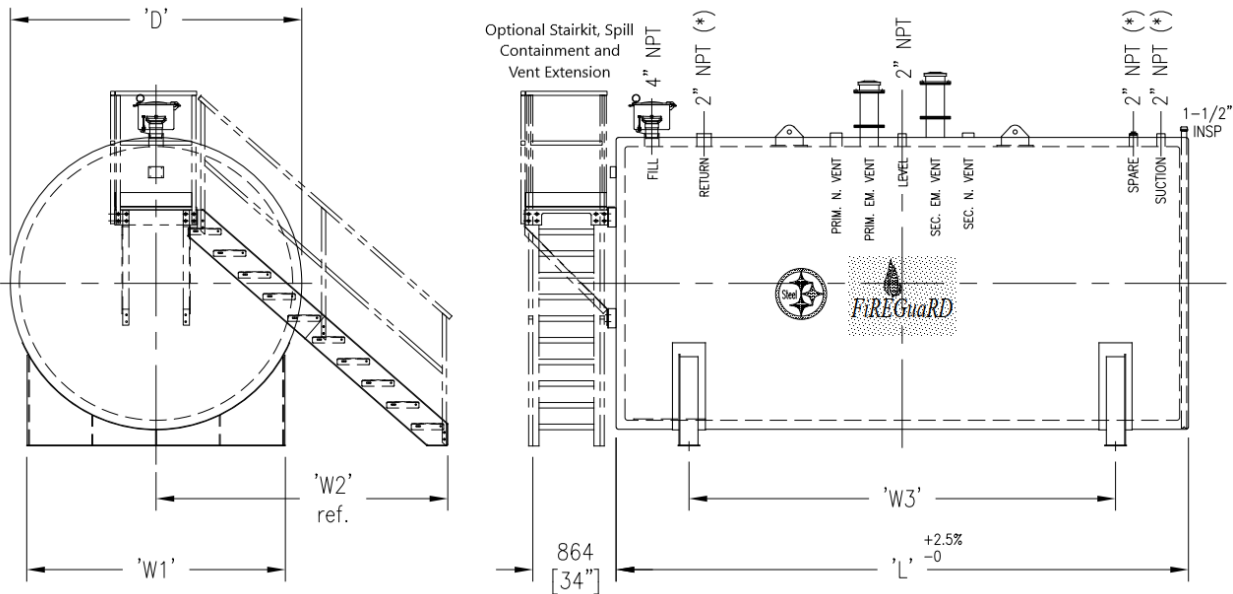


Aboveground Storage Tanks, ULC-S655, Double-Wall, Fireguard, Horizontal



Part Number	Capacity (L)	D (in)	L (in)	W1 (in)	W2 (in)	W3 (in)	Approx. Weight (lbs)
SCFGFT02200H	2200	58	75	51-1/2	52	48	3300
SCFGFT04540H	4540	62	123	55-1/2	52	96	5200
SCFGFT05000H	5000	62	136	55-1/2	52	108	5700
SCFGFT10000H	10,000	72	195	64	70	160	8800
SCFGFT15000H	15,000	85	202	76	80	160	11,600
SCFGFT25000H	25,000	106	210	95-1/2	107	160	18,500
SCFGFT45000H	45,000	116	307	111	116	252	27,500
SCFGFT50000H	50,000	122	307	118	125	252	29,250
SCFGFT65000H	65,000	122	395	118	125	340	35,750
SCFGFT80000H	80,000	127	441	123	125	380	42,000

Design Notes

- 1) All tanks designed, manufactured, and labeled in accordance with ULC-S655
- 2) Material of construction: carbon steel (standard), stainless steel (available)
- 3) Exterior finish: SSPC-SP6, one coat primer, one coat white enamel
- 4) Rated normal vent: 2" (up to 15,000 L), 3" (above 15,000 L)
- 5) Rated emergency vent: 6" (< 25,000 L), 8" (> 25,000 L)
- 6) Each tank includes interstitial inspection pipe and liquid level sensor
- 7) Encasement designed for protection against fire, vehicle impact, and small arms attack
- 8) Fittings indicated with * are 4" NPT on tanks > 25,000 L