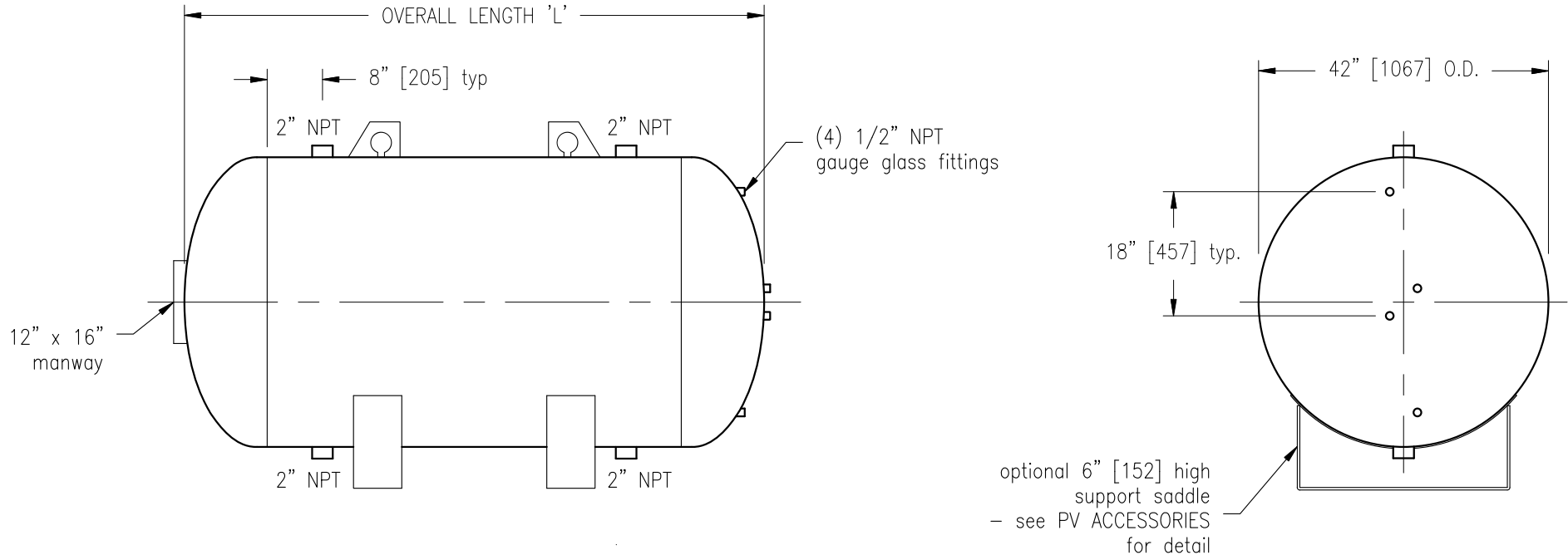


- NOTE:
- FINISH: INTERIOR AS WELDED, EXTERIOR PRIMER or INTERIOR AND EXTERIOR GALVANIZED
 - MATERIAL OF CONSTRUCTION: CARBON STEEL
 - BUILT TO ASME SECTION VIII DIV.1, 'U' STAMP.
 - THIS VESSEL IS DESIGNED WITH NO EXTERNAL LOADINGS.

OVERALL LENGTH 'L' in [mm]	VOLUME ig [ltr]	WEIGHT lbs [Kg]	GAUGE GLASS Qty	150 psig
60 [1525]	257 [1168]	795 [361]	2	SCPSET42X060H
72 [1830]	316 [1436]	907 [411]	2	SCPSET42X072H
84 [2135]	374 [1700]	1018 [462]	2	SCPSET42X084H
96 [2440]	433 [1968]	1130 [513]	2	SCPSET42X096H
108 [2745]	492 [2237]	1241 [563]	2	SCPSET42X108H
120 [3050]	550 [2500]	1353 [614]	2	SCPSET42X120H
132 [3354]	608 [2764]	1465 [665]	2	SCPSET42X132H
144 [3658]	667 [3032]	1576 [715]	2	SCPSET42X144H



STEELCRAFT
Engineered Products Division

DESCRIPTION: ϕ 42" Horizontal Air Cushion/Expansion Tank

CUSTOMER:

PROJECT:

ITEM NO.:

DRN.: HK 13-APR-15

SCALE: NTS

JOB NO.:

DWG. NO.: ACH42

2

487 Lorne Avenue East, Stratford, ON, N5A 6T1