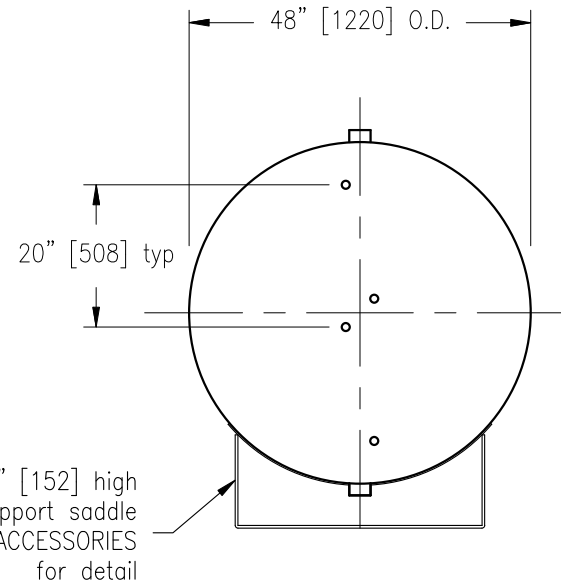
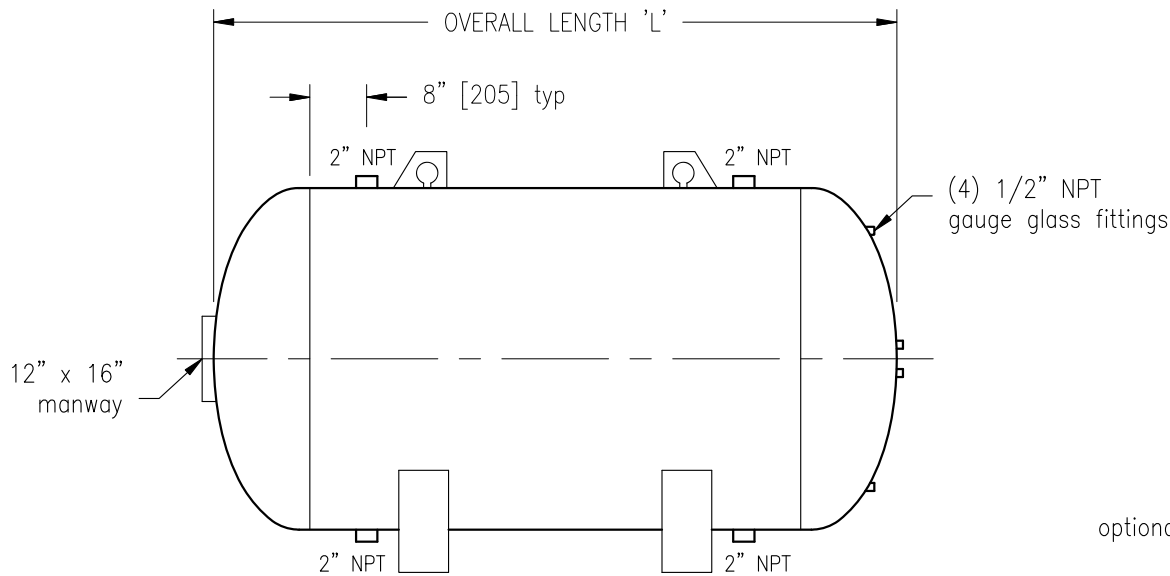


- NOTE:
- FINISH: INTERIOR AS WELDED, EXTERIOR PRIMER or INTERIOR AND EXTERIOR GALVANIZED
 - MATERIAL OF CONSTRUCTION: CARBON STEEL
 - BUILT TO ASME SECTION VIII DIV.1, 'U' STAMP.
 - THIS VESSEL IS DESIGNED WITH NO EXTERNAL LOADINGS.

OVERALL LENGTH 'L' in [mm]	VOLUME ig [ltr]	WEIGHT lbs [Kg]	GAUGE GLASS Qty	150 psig
60 [1525]	329 [1496]	1010 [458]	2	SCPSET48X060H
72 [1830]	406 [1845]	1138 [516]	2	SCPSET48X072H
84 [2135]	482 [2191]	1265 [574]	2	SCPSET48X084H
96 [2440]	559 [2541]	1393 [632]	2	SCPSET48X096H
108 [2745]	635 [2887]	1520 [689]	2	SCPSET48X108H
120 [3050]	712 [3237]	1648 [748]	2	SCPSET48X120H
132 [3354]	789 [3587]	1776 [806]	2	SCPSET48X132H
144 [3658]	865 [3932]	1903 [863]	2	SCPSET48X144H
156 [3962]	942 [4282]	2031 [921]	2	SCPSET48X156H
168 [4267]	1018 [4628]	2159 [979]	2	SCPSET48X168H



STEELCRAFT
Engineered Products Division

487 Lorne Avenue East, Stratford, ON, N5A 6T1

DESCRIPTION: ϕ 48" Horizontal Air Cushion/Expansion Tank

CUSTOMER:

PROJECT:

ITEM NO.:

DRN.: HK 13-APR-15

SCALE: NTS

JOB NO.:

DWG. NO.: ACH48

