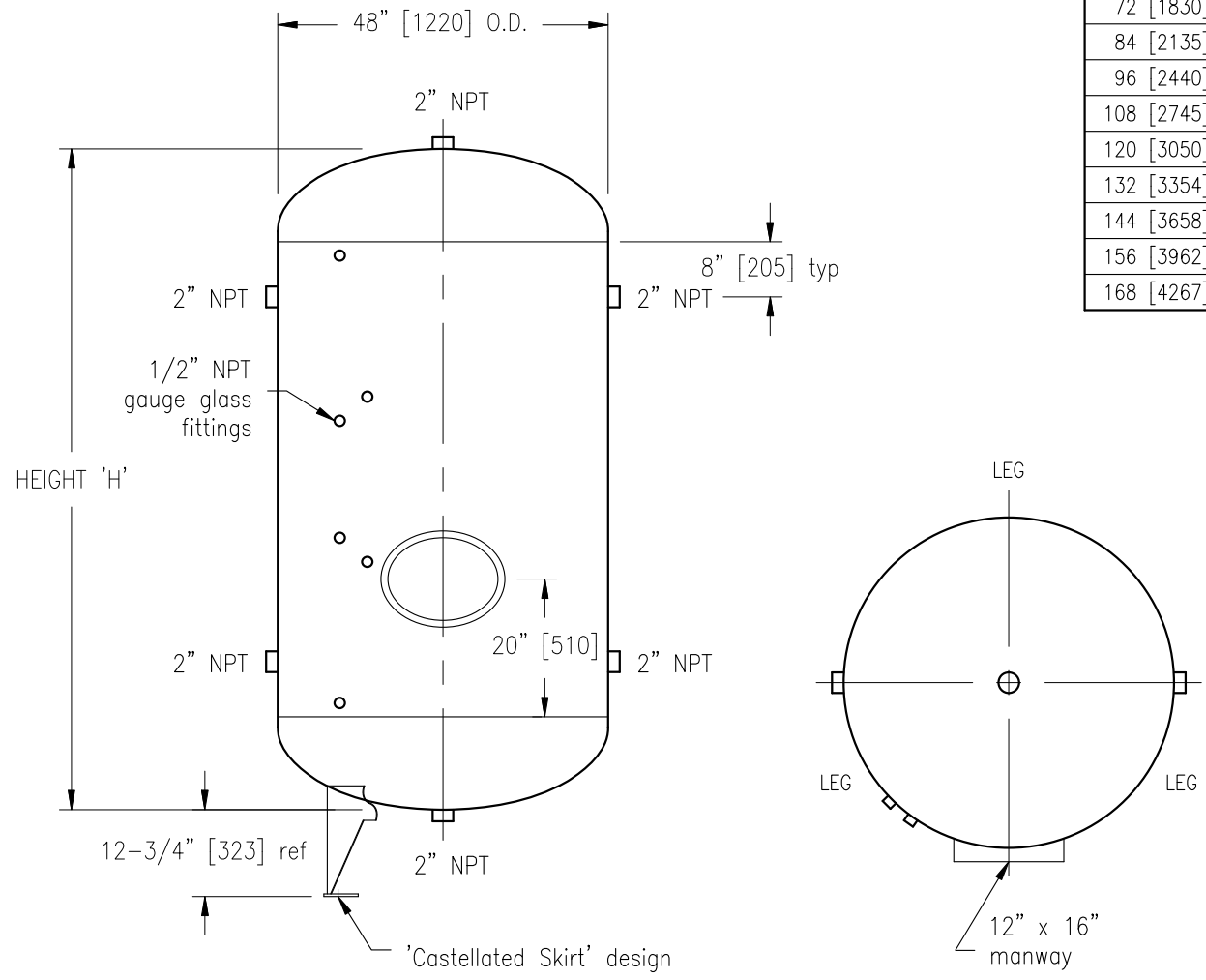


OVERALL LENGTH 'L' in [mm]	VOLUME ig [ltr]	WEIGHT lbs [Kg]	GAUGE GLASS Qty	150 psig
60 [1525]	329 [1496]	1130 [513]	2	SCPSET48X060V
72 [1830]	406 [1845]	1257 [570]	2	SCPSET48X072V
84 [2135]	482 [2191]	1385 [628]	3	SCPSET48X084V
96 [2440]	559 [2541]	1512 [686]	3	SCPSET48X096V
108 [2745]	635 [2887]	1640 [744]	4	SCPSET48X108V
120 [3050]	712 [3237]	1767 [802]	5	SCPSET48X120V
132 [3354]	789 [3587]	1894 [859]	5	SCPSET48X132V
144 [3658]	865 [3932]	2021 [917]	6	SCPSET48X144V
156 [3962]	942 [4282]	2148 [974]	6	SCPSET48X156V
168 [4267]	1018 [4628]	2276 [1032]	7	SCPSET48X168V



NOTE:
 - FINISH: INTERIOR AS WELDED, EXTERIOR PRIMER or INTERIOR AND EXTERIOR GALVANIZED
 - MATERIAL OF CONSTRUCTION: CARBON STEEL
 - BUILT TO ASME SECTION VIII DIV.1, 'U' STAMP.
 - THIS VESSEL IS DESIGNED WITH NO EXTERNAL LOADINGS.

STEELCRAFT
 Engineered Products Division

DESCRIPTION: ϕ 48" Vertical Air Cushion/Expansion Tank			
CUSTOMER:			
PROJECT:			
ITEM NO.:	DRN.: HK 14-APR-15	SCALE: NTS	2
JOB NO.:	DWG. NO.: ACV48		

487 Lorne Avenue East, Stratford, ON, N5A 6T1