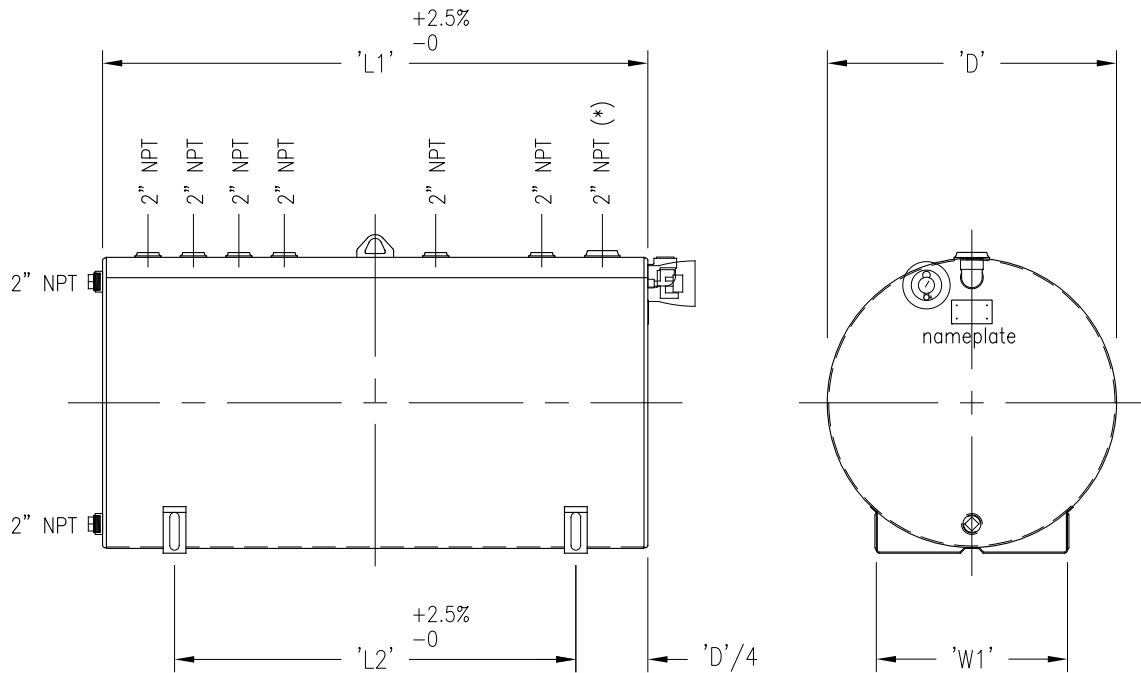


*Aboveground Auxiliary Storage Tank  
Double Wall ULC-S602  
455 ltr to 2,200 ltr*



Part I.D.	Capacity		Diameter 'D' mm [in]	Length 'L1' mm [in]	'W1' mm [in]	Length 'L2' mm [in]	Weight Kg [lbs.]
	Litre	I.G.					
SCAUXFT0455	455	100	711 [28]	1168 [46]	640 [25-1/4]	813 [32]	135 [296]
SCAUXFT0680	680	150	711 [28]	1727 [68]	640 [25-1/4]	1372 [54]	190 [419]
SCAUXFT0910	910	200	965 [38]	1270 [50]	640 [25-1/4]	787 [31]	209 [460]
SCAUXFT1135	1135	250	965 [38]	1550 [61]	640 [25-1/4]	1067 [42]	227 [500]
SCAUXFT1360	1360	300	965 [38]	1830 [72]	640 [25-1/4]	1473 [58]	272 [599]
SCAUXFT2200	2200	500	1270 [50]	1830 [72]	870 [34-1/2]	1220 [48]	443 [975]

NOTES:

- BUILT & LABELLED TO ULC-S602
- MATERIAL OF CONSTRUCTION: CARBON STEEL
- EXTERIOR FINISH: BLAST TO SSPC-SP6 w/ONE FINISH COAT BLUE ENAMEL

(\*) this fitting is 3"NPT on tanks > 1,200 ltrs.

(\*\*) min 300° secondary wrap

**STEELCRAFT**  
Engineered Products Division

DESCRIPTION: Horizontal D/W (\*\*) Auxiliary Storage Tank

CUSTOMER:

PROJECT:

ITEM NO.: see chart

DRN.: HK 10-JUN-15

SCALE: NTS

JOB NO.:

DWG. NO.: S602-HDW-2

