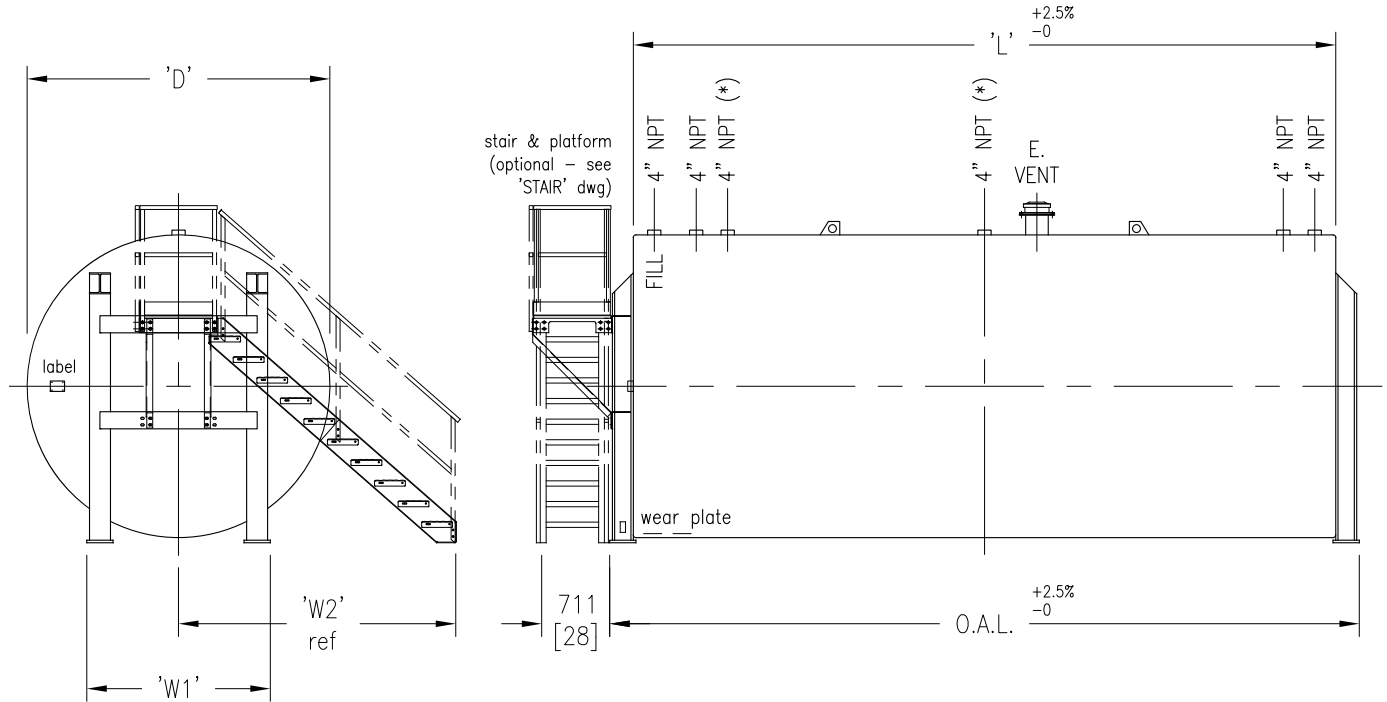


Aboveground Storage Tank
Single Wall ULC-S601-14
10,000 ltr to 75,000 ltr



Part I.D.	Capacity		Diameter 'D' mm [in]	Length 'L' mm [in]	'O.A.L.' mm [in]	'W1' mm [in]	'W2' mm [in]	Weight Kg [lb]
	Litre	I.G.						
SCSWFT010000H	10,000	2,200	2000 [79]	3225 [127]	3633 [143]	1270 [50]	1803 [71]	1168 [2570]
SCSWFT015000H	15,000	3,300	2000 [79]	4826 [190]	5232 [206]	1270 [50]	1803 [71]	1493 [3285]
SCSWFT025000H	25,000	5,500	2500 [99]	5130 [202]	5588 [220]	1525 [60]	2260 [89]	2598 [5715]
SCSWFT035000H	35,000	7,700	2500 [99]	7062 [278]	7518 [296]	1525 [60]	2260 [89]	3678 [8290]
SCSWFT045400H	45,400	10,000	2921 [115]	6884 [271]	7366 [290]	1780 [70]	2718 [107]	4402 [9685]
SCSWFT050000H	50,000	11,000	2921 [115]	7493 [295]	7950 [313]	1780 [70]	2718 [107]	4668 [10270]
SCSWFT065000H	65,000	14,300	2921 [115]	9703 [382]	10160 [400]	1780 [70]	2718 [107]	5695 [12530]
SCSWFT075000H	75,000	16,500	2921 [115]	11278 [444]	11735 [462]	1780 [70]	2718 [107]	6445 [14180]

NOTES:

- BUILT & LABELLED TO ULC-S601-14
- MATERIAL OF CONSTRUCTION: CARBON STEEL
- EXTERIOR FINISH: BLAST TO SSPC-SP6, ONE COAT PRIMER & ONE FINISH COAT WHITE ENAMEL
- EACH TANK SUPPLIED WITH DIPSTICK, GAUGE CHART & TOUCH-UP PAINT
- OPTIONAL STAIRWAY & PLATFORM ASS'Y CAN BE INSTALLED IN THREE DIFFERENT POSITIONS.

- rated normal vent: up to 15000 ltr = 2", over 15000 ltr = 3"
- rated emergency vent: up to 25000 ltr = 6", over 25000 ltr = 8"
- (*) these fittings are 2"NPT on 10,000 and 15,000 ltr tanks

STEELCRAFT
 Engineered Products Division

DESCRIPTION: Horizontal Aboveground S/W Storage Tank			
CUSTOMER:			
PROJECT:			
ITEM NO.: see chart	DRN.: HK 8-FEB-17	SCALE: NTS	7
JOB NO.:	DWG. NO.: S601-HSW-2		