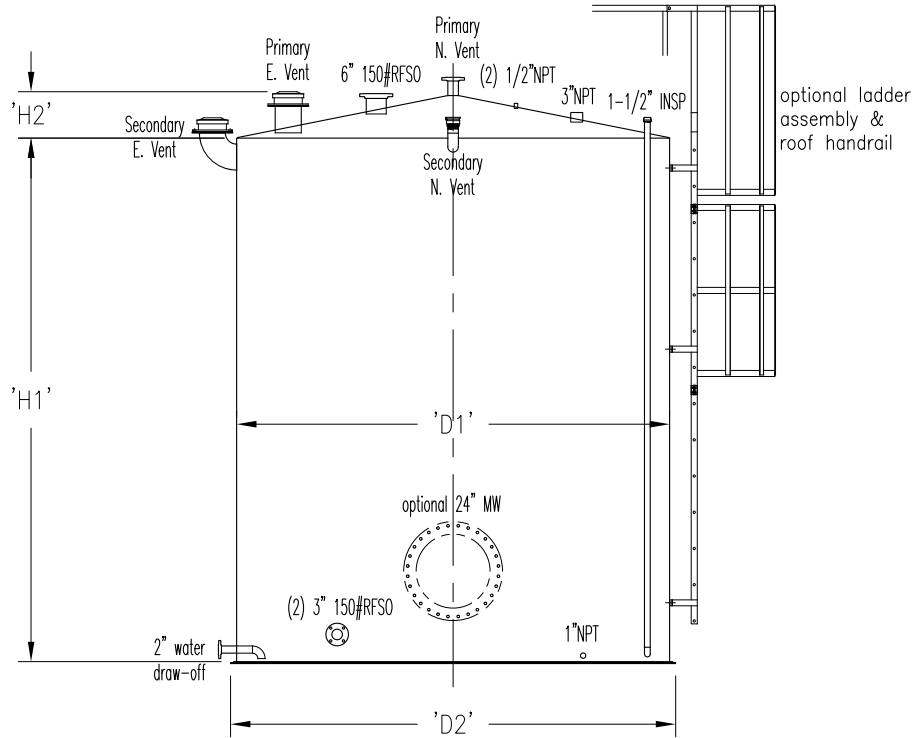


Vertical Storage Tank

100% Integral Contained ULC-S601-14



Part I.D.	Capacity		Diameter 'D1' mm [in]	'D2' mm [in]	Height 'H1' mm [in]	'H2' mm [in]	Approx. Weight Kg [lb]
	Litre	I.G.					
SCCTFT015000V	15,000	3,300	2500 [99]	2616 [103]	3100 [122]	406 [16]	2432 [5350]
SCCTFT025000V	25,000	5,500	2500 [99]	2616 [103]	5232 [206]	406 [16]	3454 [7600]
SCCTFT035000V	35,000	7,700	2921 [115]	3050 [120]	5283 [208]	457 [18]	4727 [10400]
SCCTFT050000V	50,000	11,000	2921 [115]	3050 [120]	7468 [294]	457 [18]	5636 [12400]
SCCTFT060000V	60,000	13,215	3124 [123]	3225 [127]	7925 [312]	457 [18]	7727 [17000]
SCCTFT075000V	75,000	16,520	3500 [138]	3632 [143]	7925 [312]	483 [19]	8932 [19650]
SCCTFT090900V	90,900	20,000	3500 [138]	3632 [143]	9500 [374]	483 [19]	10409 [22900]
SCCTFT125000V	125,000	27,533	3810 [150]	3940 [155]	11724 [434]	533 [21]	13295 [29250]
SCCTFT150000V	150,000	33,000	3810 [150]	3940 [155]	13157 [518]	533 [21]	15432 [33950]

NOTES:

- Tank built and labelled To ULC-S601-14 (100% Integral Contained)
- Material of Construction: Carbon Steel
- Interior Finish: As Welded
- Exterior Finish: Blast To SSPC-SP6, one coat primer and one finish coat white enamel
- rated normal vent: 3"
- rated emergency vent: up to 35000 ltr = 10", over 35000 ltr = 12"

STEELCRAFT
Engineered Products Division

DESCRIPTION: Vertical 100% Integral Contained Storage Tank			
CUSTOMER:			
PROJECT:			
ITEM NO.: see chart	DRN.: HK 20-Feb-18	SCALE: NTS	5
JOB NO.:	DWG. NO.: S601-V100C		