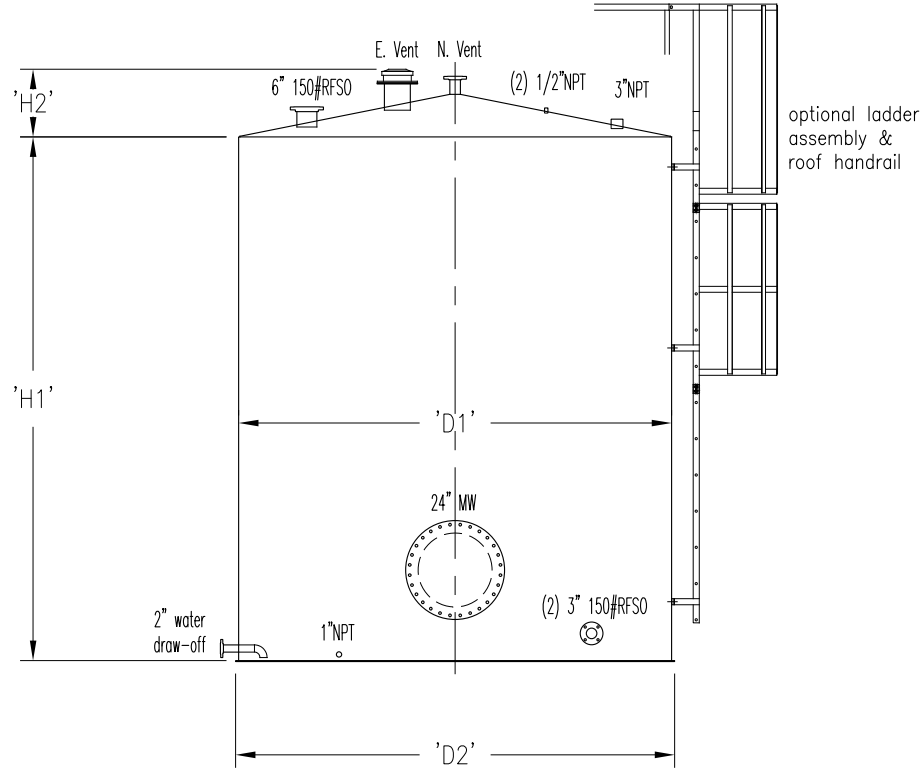


Vertical Single Wall Storage Tank ULC-S601-14



Part I.D.	Capacity		Diameter 'D1' mm [in]	'D2' mm [in]	Height 'H1' mm [in]	'H2' mm [in]	Approx. Weight Kg [lb]
	Litre	I.G.					
SCSWFT015000V	15,000	3,300	2500 [99]	2565 [101]	3100 [122]	406 [16]	1545 [3400]
SCSWFT025000V	25,000	5,500	2500 [99]	2565 [101]	5232 [206]	406 [16]	2136 [4700]
SCSWFT035000V	35,000	7,700	2921 [115]	2995 [118]	5283 [208]	432 [17]	2727 [6000]
SCSWFT050000V	50,000	11,000	2921 [115]	2995 [118]	7468 [294]	432 [17]	3523 [7750]
SCSWFT060000V	60,000	13,215	3124 [123]	3175 [125]	7925 [312]	457 [18]	4602 [10125]
SCSWFT075000V	75,000	16,520	3500 [138]	3580 [141]	7925 [312]	508 [20]	5340 [11750]
SCSWFT090900V	90,900	20,000	3500 [138]	3580 [141]	9500 [374]	508 [20]	6182 [13600]
SCSWFT125000V	125,000	27,533	3810 [150]	3886 [153]	11724 [434]	533 [21]	8227 [18100]
SCSWFT150000V	150,000	33,000	3810 [150]	3886 [153]	13157 [518]	533 [21]	9545 [21000]

NOTES:

- Tank built and labelled To ULC-S601-14
- Material of Construction: Carbon Steel
- Interior Finish: As Welded
- Exterior Finish: Blast To SSPC-SP6, one coat primer and one finish coat white enamel
- rated normal vent: 3"
- rated emergency vent: up to 35000 ltr = 10", over 35000 ltr = 12"

STEELCRAFT
Engineered Products Division

DESCRIPTION: Vertical Single Wall Storage Tank			
CUSTOMER:			
PROJECT:			
ITEM NO.: see chart	DRN.: HK 11-Dec-17	SCALE: NTS	8
JOB NO.:	DWG. NO.: S601-VSW		