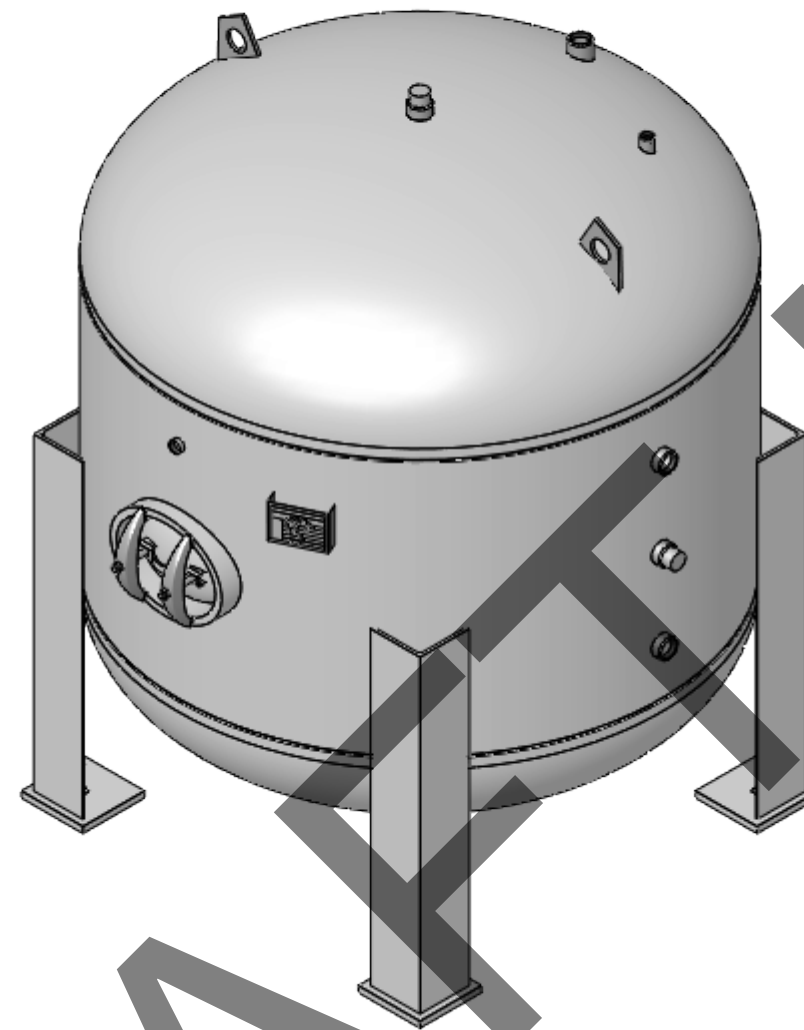
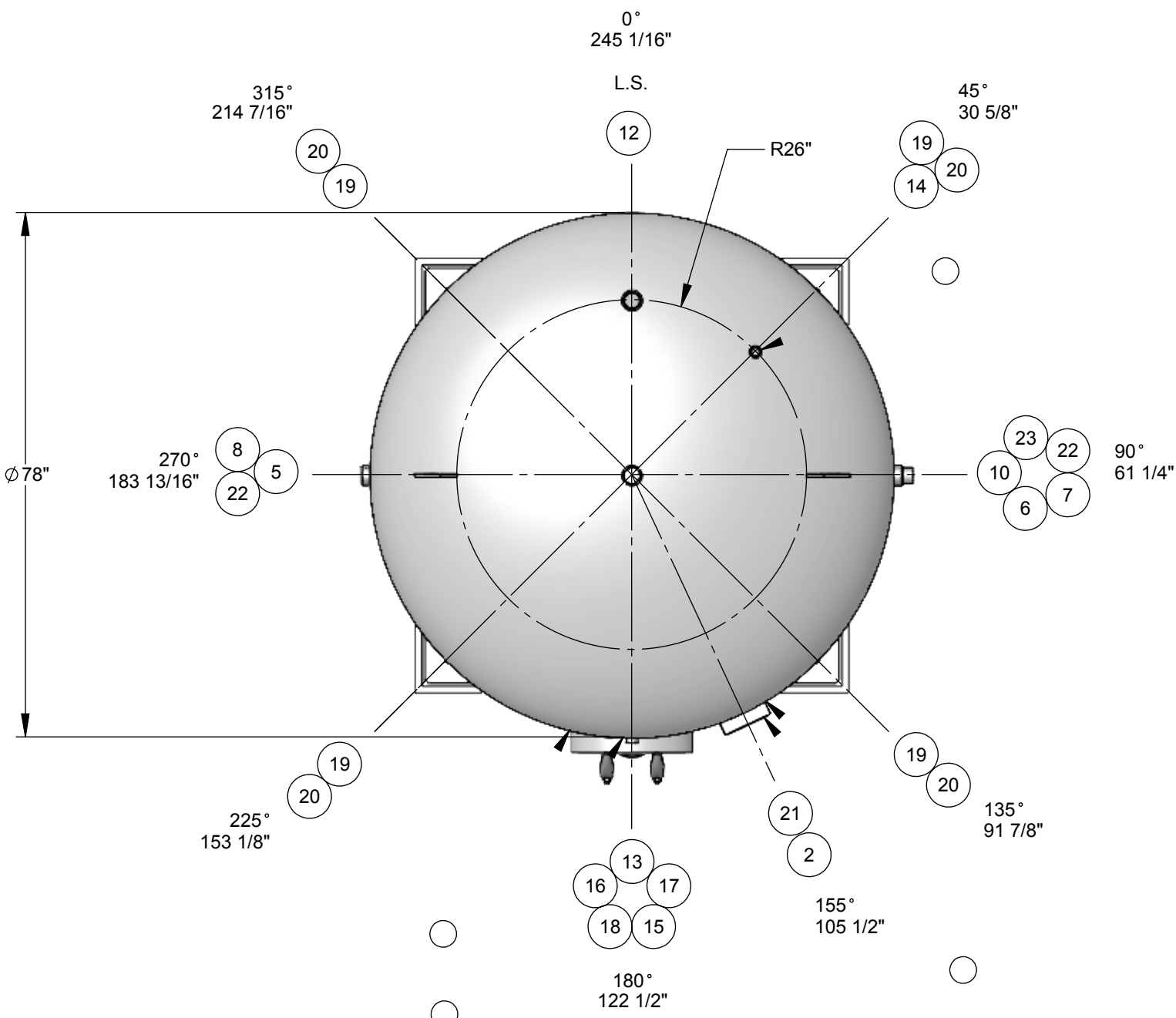


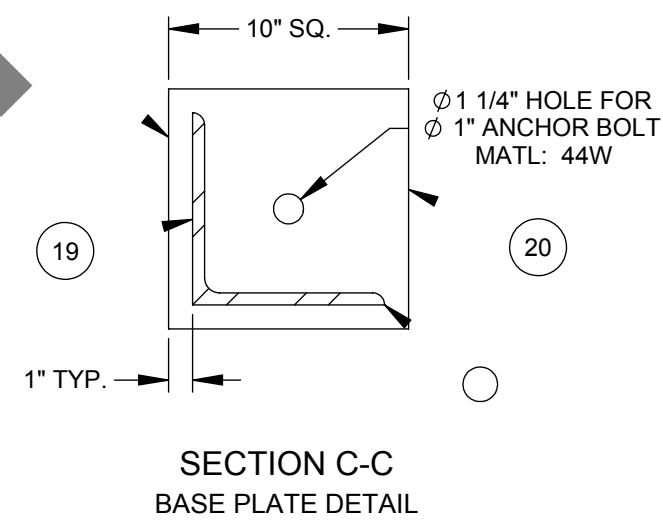
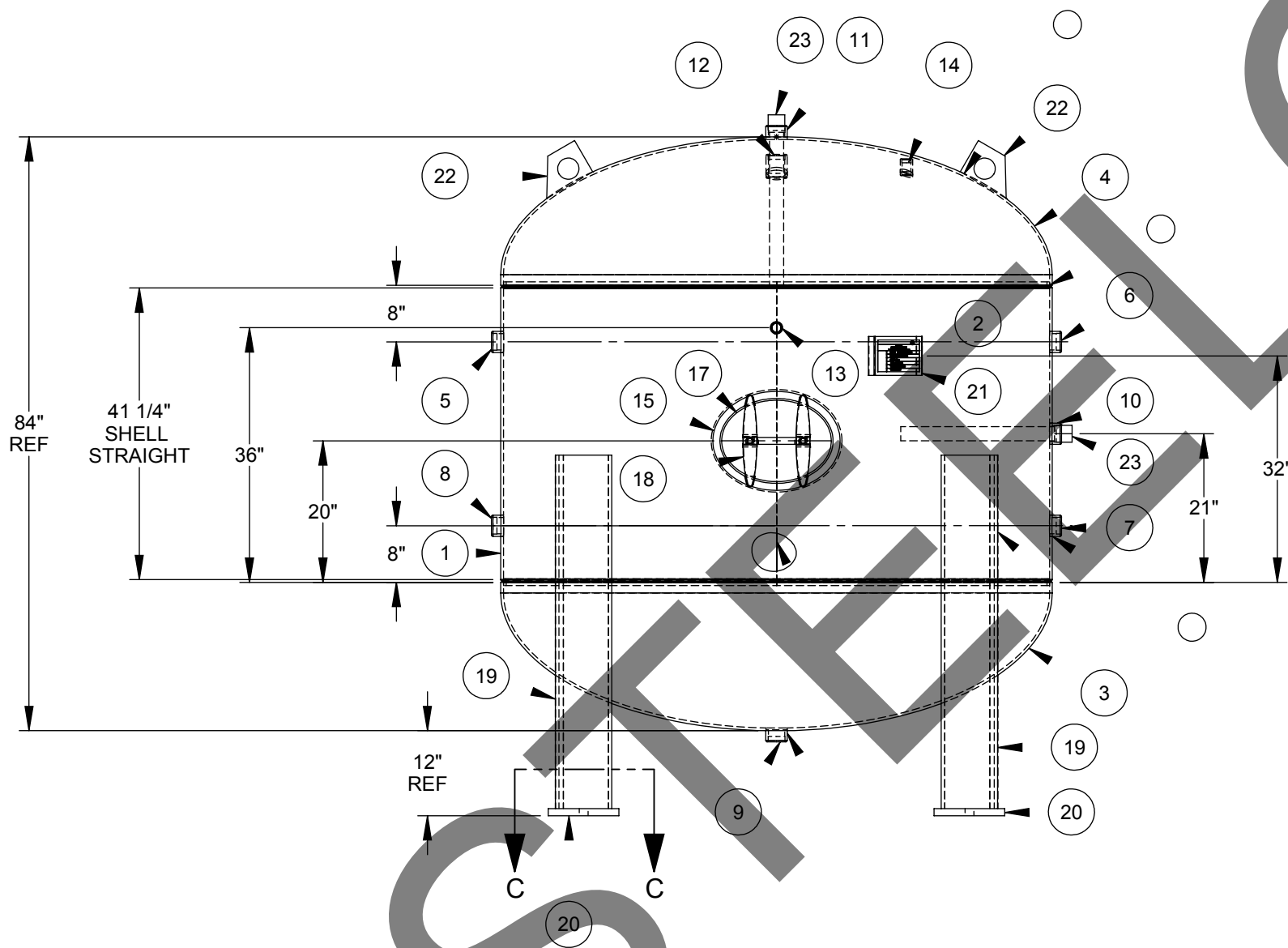
**STEELCRAFT P/N: SCDHWT78X084**



| ITEM NO. | QTY. | PART NO.     | DESCRIPTION                                   |
|----------|------|--------------|---|
| 1        | 1    | A44003-01    | Cylinder: 78" O.D. x 43" Lg.                  |
| 2        | 1    | A44003-NP    | ASME NAMEPLATE                                |
| 3        | 1    | HDSE078001FJ | Head: S.E., 78" O.D.                          |
| 4        | 1    | HDSE078001FJ | Head: S.E., 78" O.D.                          |
| 5        | 1    | CPHT200300XU | Coupling: 2" NPT                              |
| 6        | 1    | CPHT200300XU | Coupling: 2" NPT                              |
| 7        | 1    | CPHT200300XU | Coupling: 2" NPT                              |
| 8        | 1    | CPHT200300XU | Coupling: 2" NPT                              |
| 9        | 1    | CPHT200300XU | Coupling: 2" NPT                              |
| 10       | 1    | CPHT200300XU | Coupling: 2" NPT                              |
| 11       | 1    | CPHT200300XU | Coupling: 2" NPT                              |
| 12       | 1    | CPFT200300XU | Coupling: 2" NPT                              |
| 13       | 1    | CPHT100300XU | Coupling: 1" NPT                              |
| 14       | 1    | CPFT100300XU | Coupling: 1" NPT                              |
| 15       | 1    | MHCO121640UC | Manway Collar: 12" x 16" x 1" x 4" Wide       |
| 16       | 1    | GSKO121600XY | Manway Gasket                                 |
| 17       | 1    | CVRB121615XC | Manway Cover                                  |
| 18       | 2    |              | Manway Yoke c/w Bolt & Nut                    |
| 19       | 4    | A44003-L     | 8" X 8" X 50" LG ANGLE                        |
| 20       | 4    | A44003-FP    | 10" X 10" X 1" Thk. FOOT PAD WITH 1-1/4" HOLE |
| 21       | 1    | BKPL400055XC | Nameplate Bracket                             |
| 22       | 2    | LLTV050075QC | Lift Lug                                      |
| 23       | 2    | ANDA200220XM | Anode, 2" Screwed Magnesium                   |

**Design Specifications**

M.A.W.P.: 150 psi  
 Design Temperature: 500 °F  
 M.D.M.T.: 0°F @ 150 psi  
 Impact Testing Exempt per UG-20(f) & UCS-66  
 Design External Pressure: 0.0 psi  
 Hydrotest Pressure: 195 psi  
 Corrosion Allowance: 0.0 in.  
 Code: ASME Section VIII, Div. 1 2017  
 Approximate Volume: 5210 L  
 Approximate Weight: 4576 lbs  
 Material of Construction: Carbon Steel



**Finish**  
 Interior:  
 Line with Cement to CSA, NSF/ANSI 61 Standard  
 Exterior:  
 - Primer

**Construction Notes**

- Bolt holes to straddle centerlines.
- This vessel is designed with superimposed static, dynamic or cyclical reactions due to equipment or mechanical loading, or pressure or thermal variations = 0 lbs.
- This vessel is designed with thermal, mechanical, cyclical, pressure or fluid shock loadings = 0 lbs.
- Round or chamfer all sharp interior corners.
- This vessel is designed to contain a non-lethal gas, vapour or a non-lethal liquid.

**TOLERANCES UNLESS OTHERWISE NOTED**

|   |   |
|---|---|
| MACHINING<br>.X = ±.1"<br>.XX = ±.02"<br>.XXX = ±.005"<br>ANGLES ±.5° | WELD FABRICATION<br><=24" = ±1/16"<br>>24" = ±1/8"<br>ANGLES = ± 0.5° |
| MAX. MACHINED SURFACE<br>ROUGHNESS 125 MICROINCHES                    | 3RD ANGLE PROJECTION  |

**STEELCRAFT**  
 Engineered Products Division  
 487 Lorne Avenue East, PO Box 339, Stratford, Ontario N5A 6T1  
 P. 1.800.387.6537 F. 519.271.1092 www.steelcraftinc.com

THIS PRINT AND DESIGN ARE THE PROPERTY OF STEELCRAFT INC. AND MUST NOT BE USED TO ITS DETRIMENT.

PRODUCT: 78" O.D. X 84" HIGH STD PV

DESCRIPTION: MAIN ASSEMBLY

COMMENTS: SEE BOM FOR MATERIALS

|                     |               |                 |              |               |              |           |
|---------------------|---------------|-----------------|--------------|---------------|--------------|-----------|
| DRAWN:<br>PEK       | CHK'D:<br>PEK | SCALE:<br>NTS   | JOB No.:     | DRAWING. No.: | SHEET 1 OF 1 | REV. No.: |
| DATE:<br>23/08/2019 | DATE:<br>-    | WEIGHT:<br>3283 | SCDHWT78X084 | CL44003       |              | 0         |