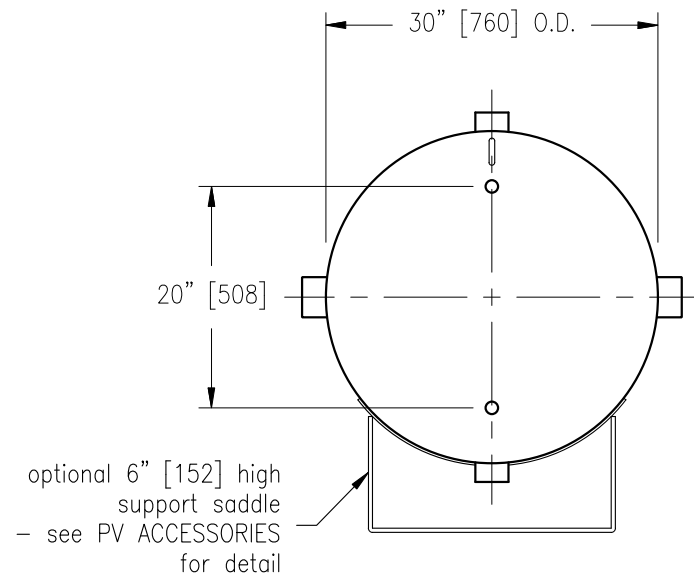
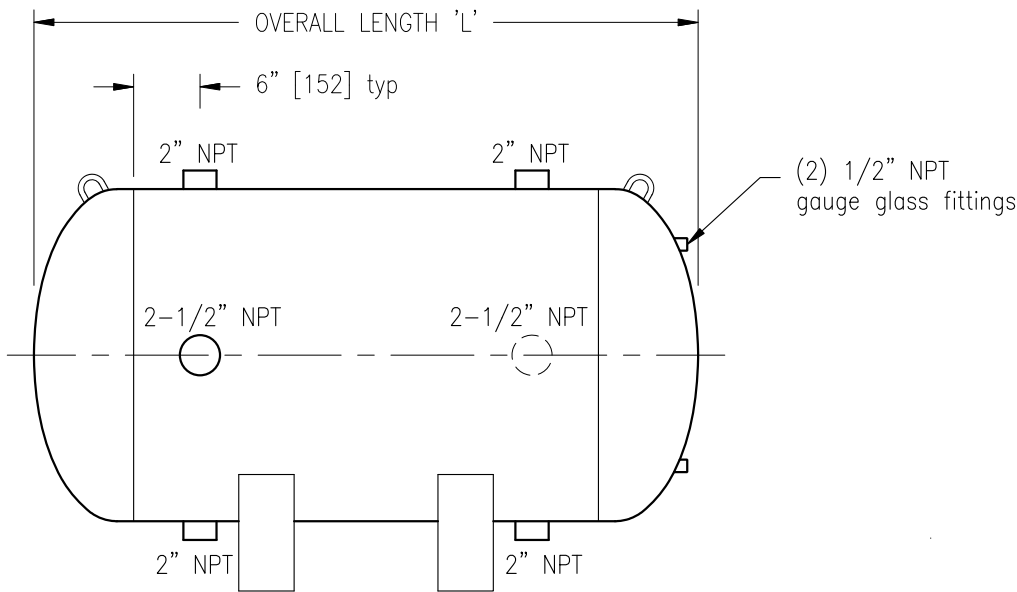


NOTE:

- FINISH: INTERIOR AS WELDED, EXTERIOR PRIMER or INTERIOR AND EXTERIOR GALVANIZED
- MATERIAL OF CONSTRUCTION: CARBON STEEL
- BUILT TO ASME SECTION VIII DIV.1, 'U' STAMP.
- THIS VESSEL IS DESIGNED WITH NO EXTERNAL LOADINGS.

OVERALL LENGTH 'L' in [mm]	VOLUME ig [ltr]	WEIGHT lbs [Kg]	GAUGE GLASS Qty	150 psig
48 [1220]	106 [482]	338 [153]	1	SCPSET30X048H
60 [1525]	136 [618]	407 [185]	1	SCPSET30X060H
72 [1830]	165 [750]	477 [216]	1	SCPSET30X072H
84 [2135]	195 [886]	546 [248]	1	SCPSET30X084H
96 [2440]	224 [1018]	616 [279]	1	SCPSET30X096H
108 [2745]	254 [1155]	685 [311]	1	SCPSET30X108H



STEELCRAFT
Engineered Products Division

DESCRIPTION: ϕ 30" Horizontal Air Cushion/Expansion Tank

CUSTOMER:

PROJECT:

ITEM NO.:

DRN.: HK 13-APR-15

SCALE: NTS

JOB NO.:

DWG. NO.: ACH30



487 Lorne Avenue East, Stratford, ON, N5A 6T1