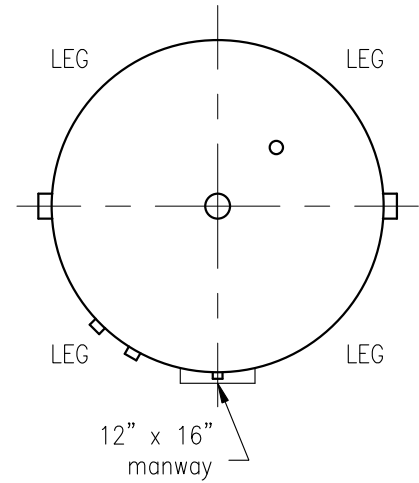


OVERALL HEIGHT 'H' in [mm]	VOLUME ig [ltr]	WEIGHT lbs [Kg]	GAUGE GLASS Qty	150 psig
72 [1830]	615 [2796]	1810 [821]	2	SCPSET60X072V
84 [2135]	735 [3341]	2011 [912]	2	SCPSET60X084V
96 [2440]	854 [3882]	2212 [1003]	3	SCPSET60X096V
108 [2745]	974 [4428]	2413 [1095]	4	SCPSET60X108V
120 [3050]	1094 [4973]	2614 [1186]	4	SCPSET60X120V
132 [3350]	1214 [5519]	2815 [1277]	5	SCPSET60X132V
144 [3660]	1333 [6060]	3016 [1368]	5	SCPSET60X144V
156 [3960]	1453 [6605]	3217 [1459]	6	SCPSET60X156V
168 [4270]	1573 [7151]	3418 [1550]	6	SCPSET60X168V
180 [4570]	1692 [7692]	3620 [1642]	7	SCPSET60X180V
192 [4880]	1812 [8238]	3820 [1733]	7	SCPSET60X192V
204 [5180]	1932 [8783]	4021 [1824]	8	SCPSET60X204V



NOTE:
 - FINISH: INTERIOR AS WELDED
 - EXTERIOR FINISH: PRIMER
 - MATERIAL OF CONSTRUCTION: CARBON STEEL
 - BUILT TO ASME SECTION VIII DIV.1, 'U' STAMP.
 - THIS VESSEL IS DESIGNED WITH NO EXTERNAL LOADINGS.

STEELCRAFT
 Engineered Products Division

DESCRIPTION: ϕ 60" Vertical Air Cushion/Expansion Tank			
CUSTOMER:			
PROJECT:			
ITEM NO.:	DRN.: HK 13-APR-15	SCALE: NTS	2
JOB NO.:	DWG. NO.: ACV60		

487 Lorne Avenue East, Stratford, ON, N5A 6T1